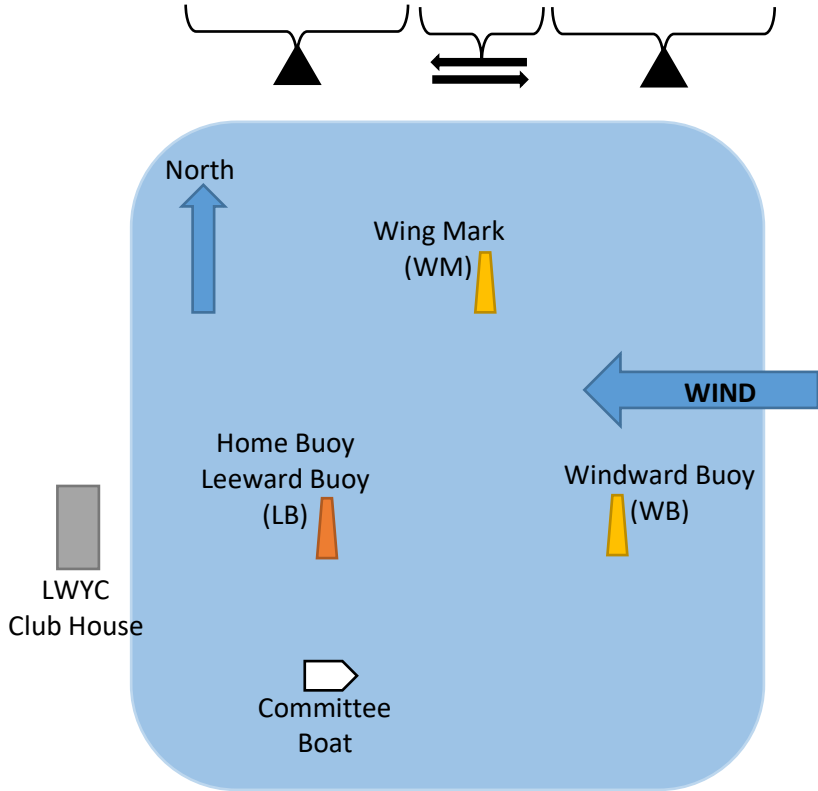
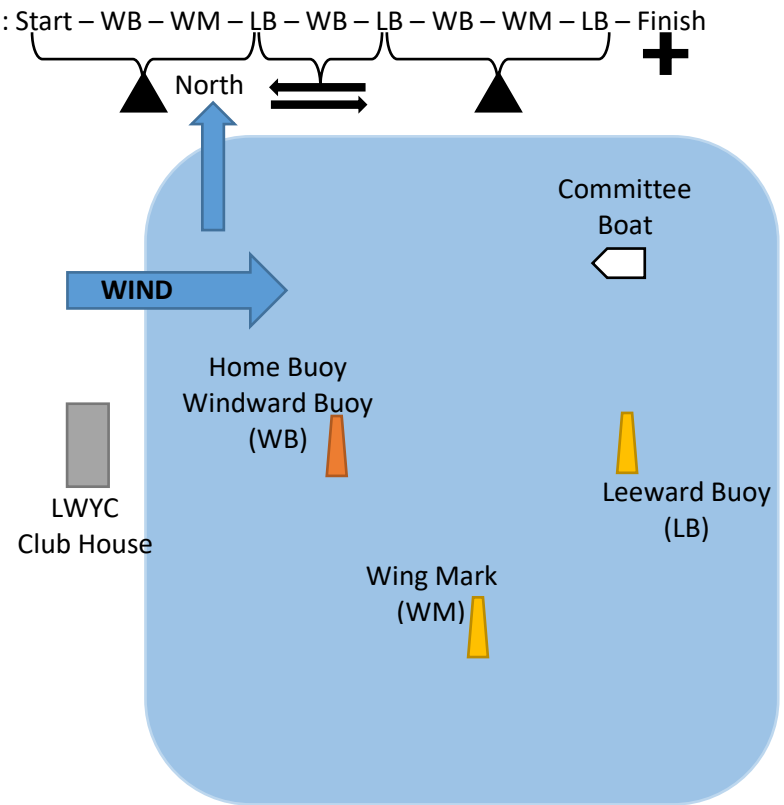


Courses At Lake Wellington Yacht Club

Where the start is at the Home Buoy, typically Easterly Wind.
 The Start Line is between the Committee Boat and LB.
 The Finish Line will be between Home Buoy and the Club House.
 Course: Start – WB – WM – LB – WB – LB – WB – WM – Finish



Where the start is NOT at the Home Buoy and the Home Buoy is the Windward Mark,
 typically Westerly Wind.
 The Start Line is between the Committee Boat and LB.
 The Finish Line will be between Home Buoy and the Club House.
 Course: Start – WB – WM – LB – WB – LB – WB – WM – LB – Finish

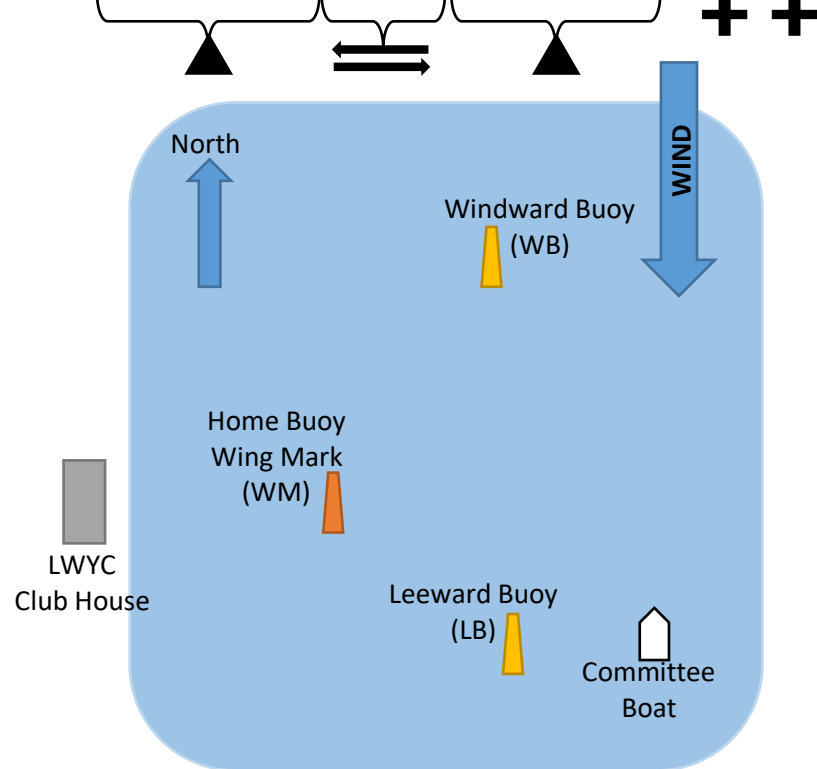


Where the start is NOT at the Home and the Home Buoy is the Wing Mark, typically North or South Wind.

The Start Line is between the Committee Boat and LB.

The Finish Line will be between Home Buoy and the Club House.

Course: Start – WB – WM – LB – WB – LB – WB – WM – LB – WB – Finish



Should the Race Officer want to finish the race before the normal Finish Line they may do so.

From the Committee Boat they will display the Shortened Course Flag



AND display the Blue Flag



AND make two horn sounds.

The Finish Line will be between the Blue Flag and the nearby Buoy.

These illustrations are for Port Courses, but the same course sequence will apply for Starboard Courses.

Port or Starboard Course

When at the start line and looking into the wind, looking to the windward mark, if the course is a Port Course, the wing mark is on the left hand (Port) side of the course.

When at the start line and looking into the wind, looking to the windward mark, if the course is a Starboard Course, the wing mark is on the right hand (Starboard) side of the course.